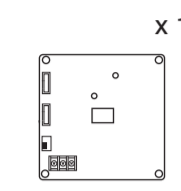
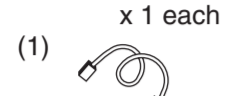



# Daikin Air Conditioner

## Digital inputs adapter

### Installation manual BRP7A51 • 52 • 53 • 54

**Accessories** Check if the following accessories are included in the kit.

Adapter	Relay harness	PCB support	x 4
x 1	x 1 each	Clamp	x 3
	(1) 	Installation manual	x 8
	(2) 		

- NOTES**
- Kits vary according to applicable models.
  - A special adapter fixing plate and box are required for some models, refer to the option list or catalogue.

## 1 SYSTEM OUTLINE

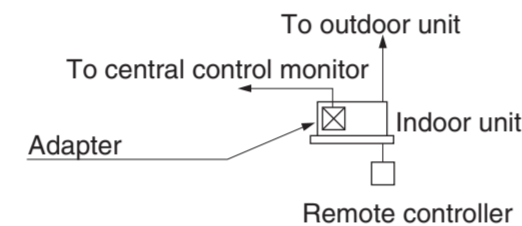
This kit enables remote control (ON/OFF control) and can be used with the following systems though it cannot be used in conjunction with other optional controllers for centralized control.

1. Individual control (Each indoor unit is controlled individually.)

This system requires the following parts.

- Adapter ..... BRP7A51, 52, 53 or 54
- Remote controller ..... BRC1H\* / BRC1E\* (For operation control)

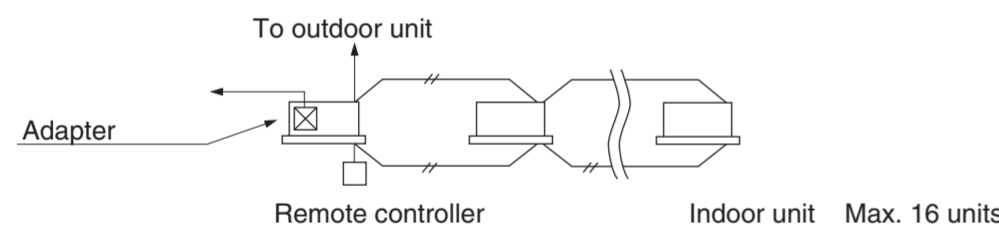
(Ex.) When individually controlling 8 FHVC71F units  
BRP7A51 x 8 kits  
BRC1H\* x 8 kits



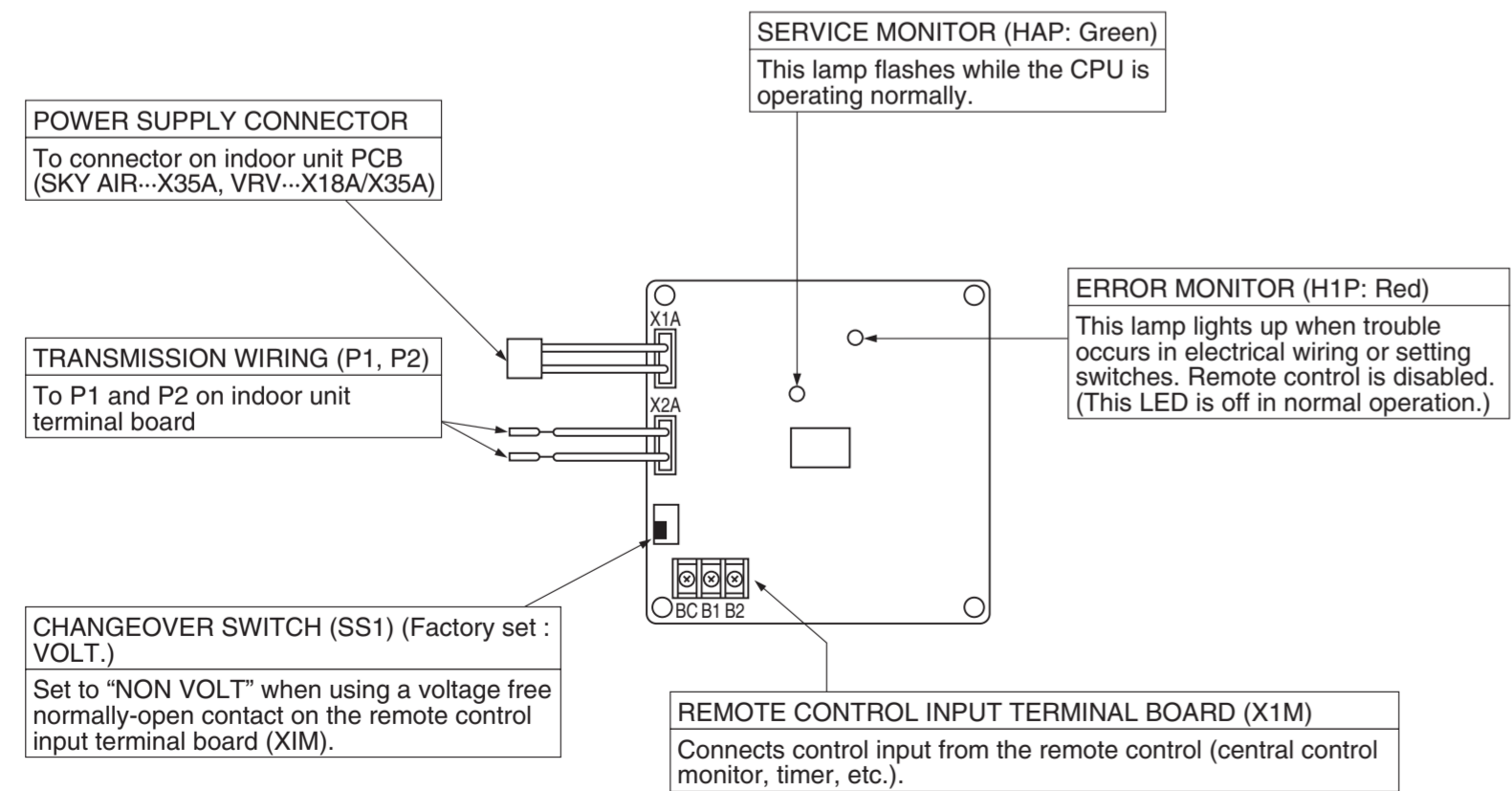
2. Group control (Multiple indoor units are controlled as a group.)

This system requires the following parts.

- Adapter ..... BRP7A51, 52, 53 or 54
- Remote controller (For operation control) ..... BRC1H\* / BRC1E\*



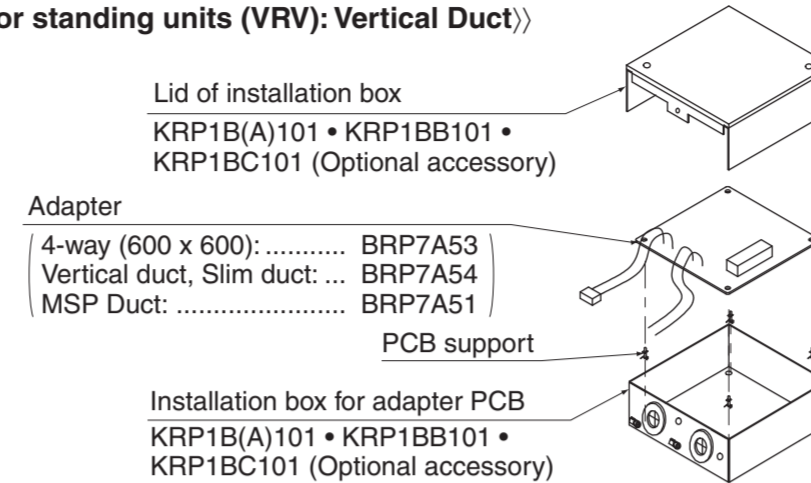
## 2 NAMES OF PARTS AND FUNCTION



For details, see ELECTRIC WIRING on the rear side.

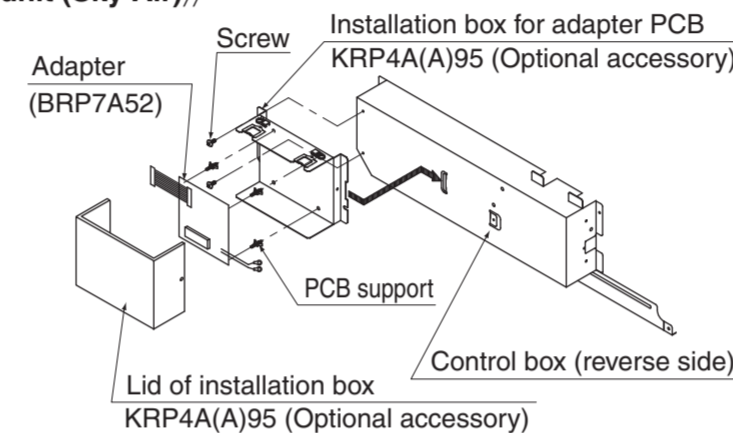
## 3 INSTALLATION

- Ceiling mounted cassette units: 4-way (600 x 600)
- Concealed ceiling units (duct units): VRV Slim Duct, MSP Duct
- Floor standing units (VRV): Vertical Duct



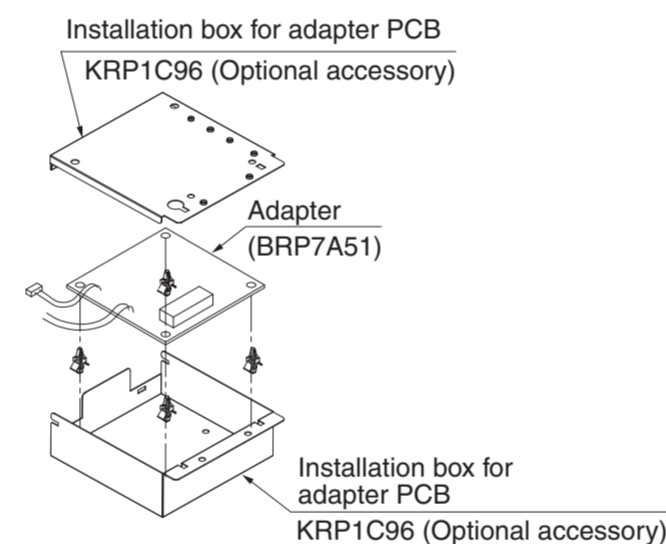
NOTE: Installation box for adapter PCB is required to install the adapter.

• Floor standing unit (Sky Air)



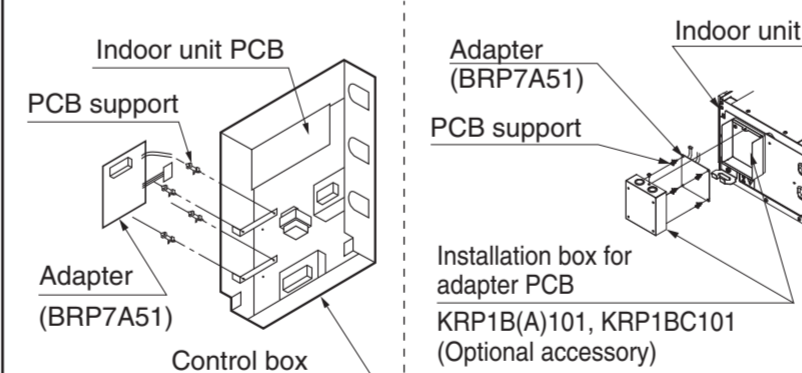
NOTE: Installation box for adapter PCB is required to install the adapter.

• Ceiling mounted cassette units: 2-way blow



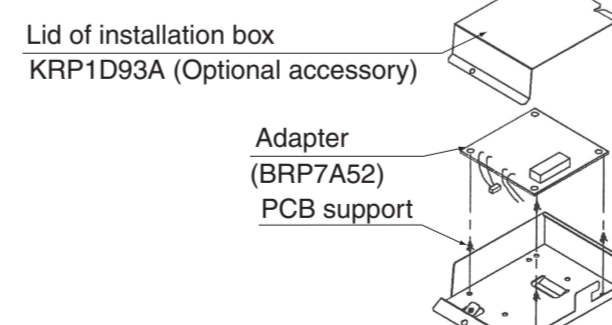
NOTE: Installation box for adapter PCB is required to install the adapter.

• Concealed ceiling units (duct units): VRV MSP Duct



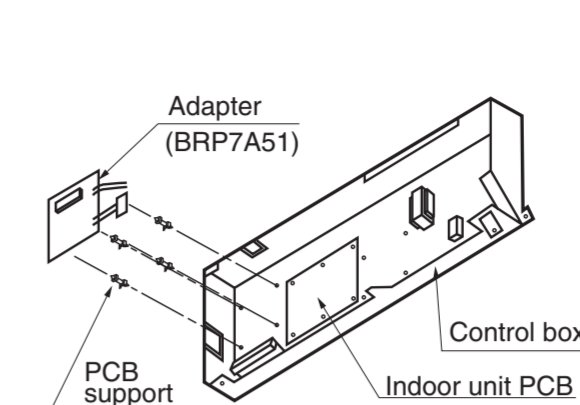
NOTE: Installation box is necessary for second adapter. Refer to the option list or the catalogue.

• Ceiling suspended units: 1-way blow

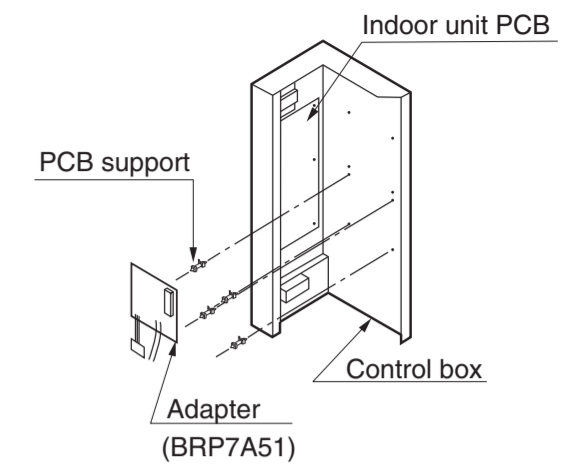


NOTE: Installation box for adapter PCB is required to install the adapter.

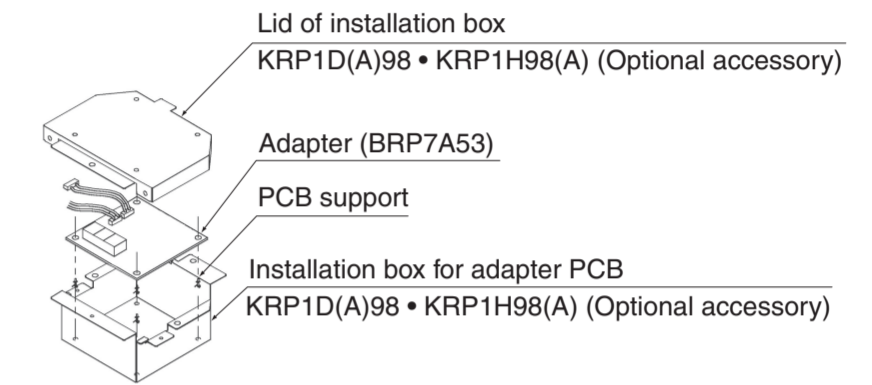
• Ceiling mounted corner cassette



- Floor standing units (VRV): Concealed
- Floor standing units (VRV): Free-standing

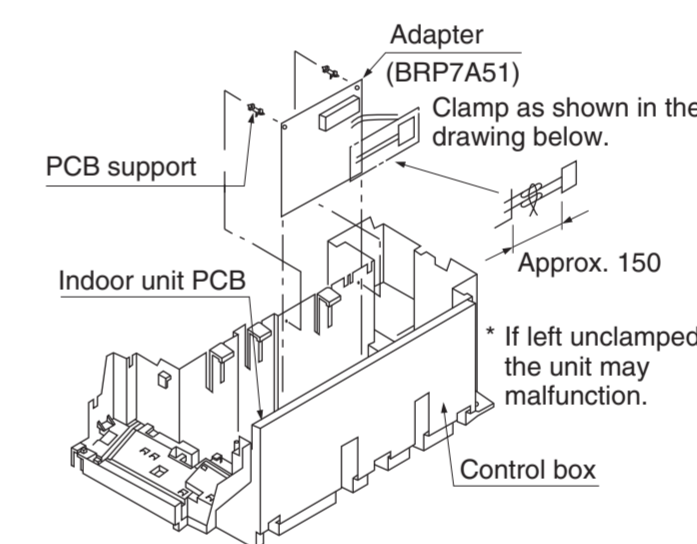


• Ceiling mounted cassette units: Round flow (800 x 800)

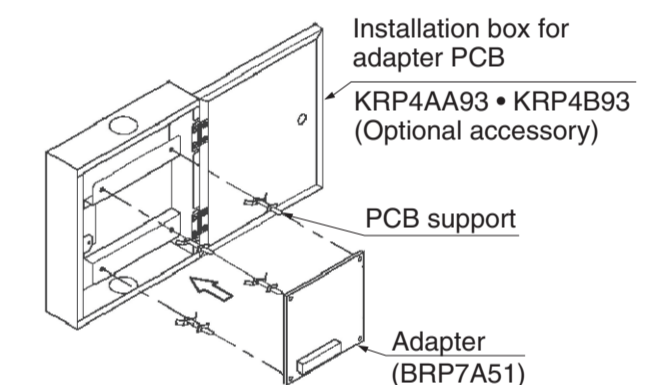


NOTE: Installation box for adapter PCB is required to install the adapter.

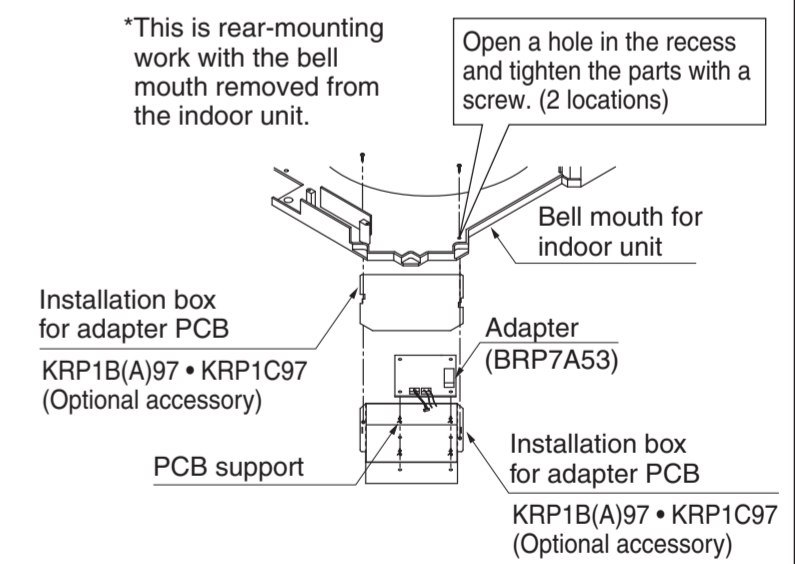
• Wall mounted unit (Sky Air)



• Wall mounted unit (VRV + Sky Air)

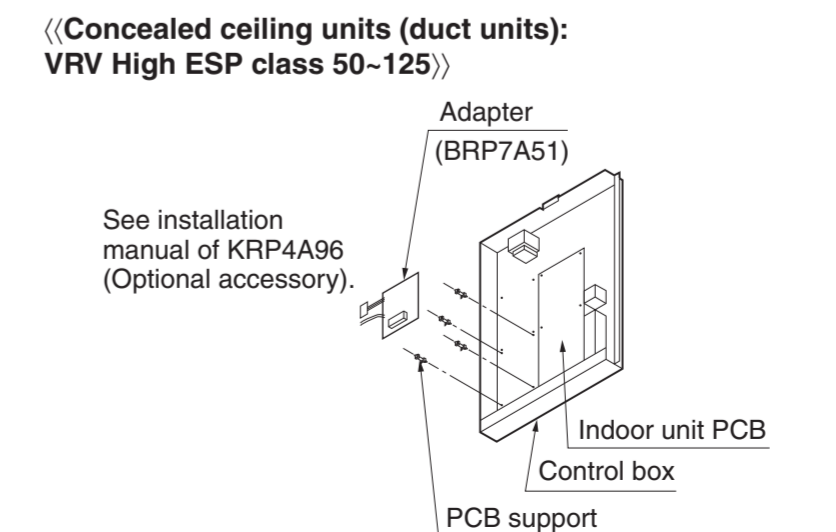


• Ceiling suspended unit: 4-way blow



NOTE: Installation box for adapter PCB is required to install the adapter.

• Concealed ceiling units (duct units): VRV High ESP class 50~125



• Concealed ceiling units (duct units): VRV High ESP class 200 + 250

